

MBI6020 Application Note

Foreword

The MBI6020 is a LED constant current driver for RGB cluster applications. The stability of data transmission has been improved through clock reverse and A-Token™ topology. This article mainly addresses five chapters.

1. The module design, LED and gray scale setting...etc.
2. The controller signal design, including notice for controller, CKI frequency notice... etc.
3. The production and setup, including the effect of hot swap, the design to reduce the surge voltage...etc.
4. The method of system testing.
5. Other applications notice, such as high V_{LED} application.

Chapter 1. Module Design

Figure 1 is the MBI6020 application circuit.

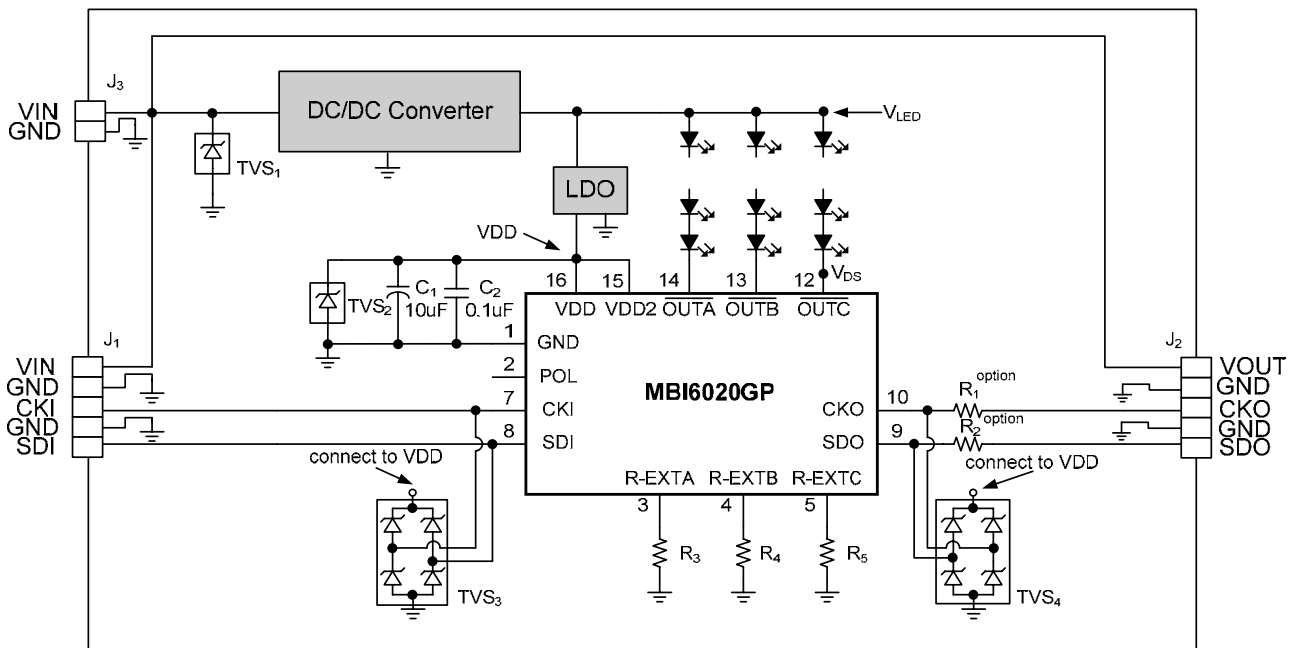


Figure 1. MBI6020 application circuit

1. Notice About LED

The higher V_{LED} may result in high voltage drop on MBI6020's output port while adopting LEDs with large variation of forward voltage and then cause overheat. Therefore, LED forward voltage (V_F) sorting is necessary.

2. Setting Current Notice

MBI6020 allows users to set the three LED current (I_{OUT}) by an external resistor, $R_3 \sim R_5$. After users decide the LED current, users can get a suitable $R_3 \sim R_5$ by the following equations.

$$R_3 \sim R_5 = (0.41V / I_{OUT}) \dots\dots\dots (1)$$

$R_3 \sim R_5$ must be placed close to MBI6020 in order to prevent $R_3 \sim R_5$ from being disturbed. Moreover, the 1% tolerance resistance is recommended in order to obtain the accurate output current.

To keep the MBI6020 constant current, a sufficient voltage at \overline{OUTA} , \overline{OUTB} and \overline{OUTC} of MBI6020 (V_{DS}) is needed. Figure 2 and Figure 3 show the I-V curves of MBI6020. Users can refer to the Figures and get a suitable V_{DS} . In general, the V_{DS} is slightly greater than the knee voltage. (Recommendation: $V_{DS} = V_{knee} + 0.2V$)

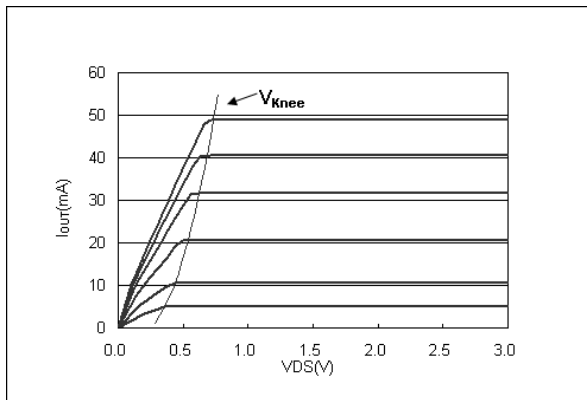


Figure 2. the relationship between I_{OUT} and V_{DS} of $V_{DD}=5V$

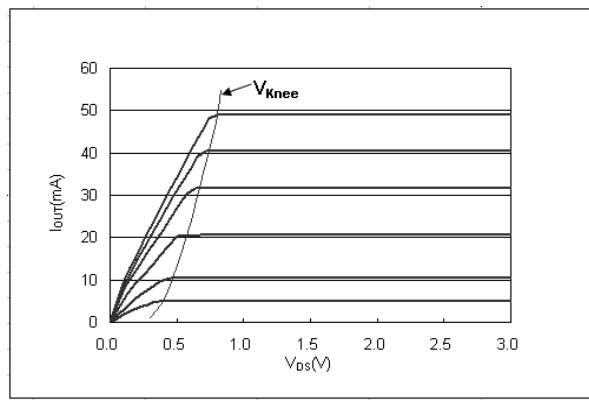


Figure 3. the relationship between I_{OUT} and V_{DS} of $V_{DD}=3.3V$

When doing the PCB layout, please keep the layout traces of \overline{OUTA} , \overline{OUTB} , \overline{OUTC} and R-EXT away from the CKI/SDI/CKO/SDO to avoid the interference of crosstalk. Or it is recommended to use the ground plane to separate these wires shown in Figure 4.

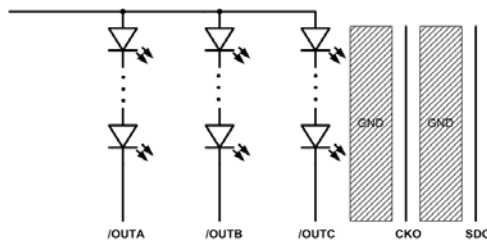


Figure 4. Use the ground plane to isolate CKI/SDI/CKO/SDO and \overline{OUTn}

3. Setting LED Power

The minimum V_{LED} can be determined by the following equation

$$V_{LED, MIN.} = (V_{F, MAX.} \times n) + V_{DS} \dots\dots\dots (2)$$

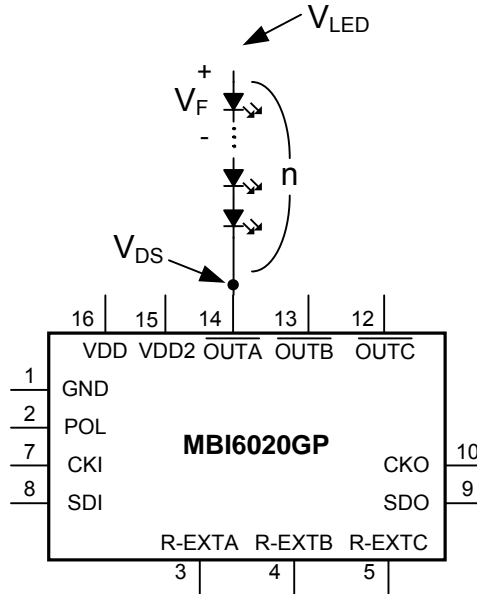


Figure 5. The sketch of minimum V_{LED} voltage

where $V_{F,MAX}$ represents the maximum forward voltage of LED, and n is the number of cascaded LEDs. The maximum sustaining voltage of /OUTn is 17V. If the supply voltage of LED (V_{LED}) is over 17V, the IC will be damaged. For the higher V_{LED} application, please refer the P.17.

4. Power Configure

Because of the impedance of power lines, the voltage of each cluster might be different in the multi-cluster cascaded application as shown in Figure 6. Users have to calculate the dropout voltage caused by the impedance of power line. For example, the biggest conductor impedance of AWG26 (Maximum Conductor Resistance) of UL1007 is 152Ω/km. It means that 1km transmission line is equal to 150Ω. When transmission line is 50cm and current is 20mA, there will be 1.52mV voltage drop. When the voltage is lower than that of DC/DC converter supply voltage, users should use a new power line, as shown in Figure 9 and Figure 10.

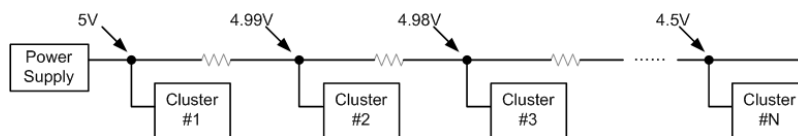


Figure 6. The sketch of dropout voltage in multi-cluster cascaded application

MBI6020 Application Note V2.00-EN

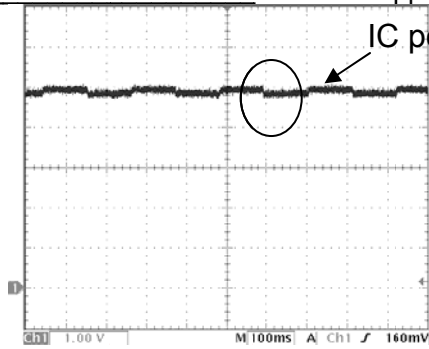


Figure 7. The poor waveform of power

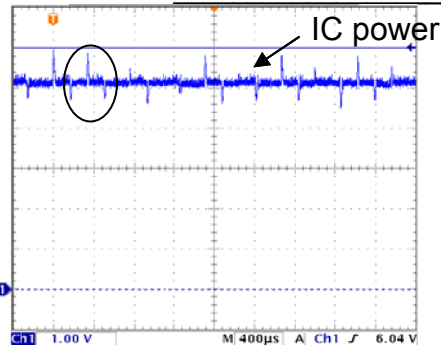


Figure 8. The poor waveform of power

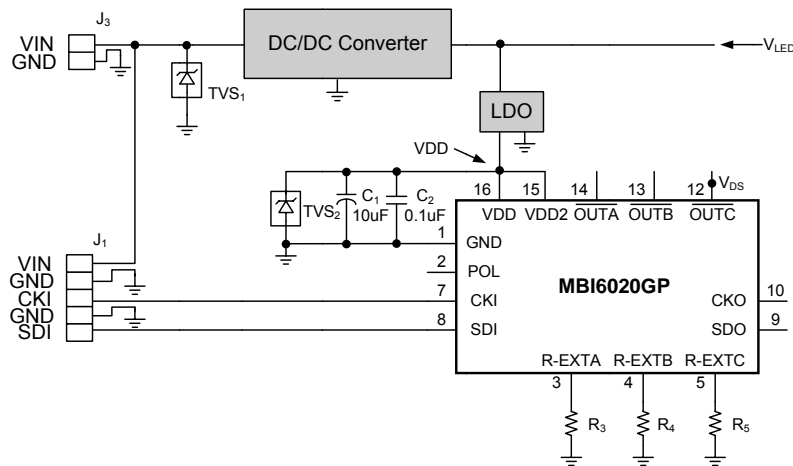


Figure 9. The proposed method of the power

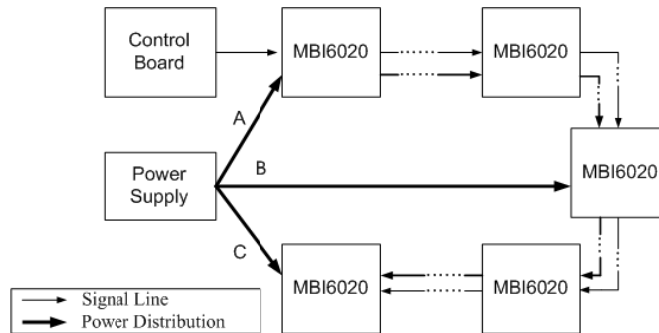


Figure 10. The power distribution of clusters

Table 1. The specification of transmission line

UL 1007	Range		Conductor		Insulation		Tolerance mm	Maximum Conductor Resistance Ω/km	Permittable Current A	Minimum Insulation Resistance $\text{M}\Omega/\text{km}$	Insulation Potential Strength VAC/min
	Temp $^{\circ}\text{C}$	Voltage V	AWG	NO./MM	Thickness mm	O.D. mm					
Stranded	UL 80 $^{\circ}\text{C}$	300V	32	7/0.080	0.38	1.00	± 0.10	703	1.6	15	2000
			30	7/0.100	0.38	1.10	± 0.10	397	2.0		
			28	7/0.127	0.38	1.20	± 0.10	248	2.5		
			26	7/0.160	0.38	1.30	± 0.10	152	3.5		
			24	11/0.160	0.38	1.45	± 0.10	88.6	5.0		
			22	17/0.160	0.38	1.60	± 0.10	62.5	7.0		
			20	21/0.180	0.38	1.85	± 0.10	39.5	9.0		
			18	34/0.180	0.38	2.10	± 0.10	24.4	13.0		
Top-Coated(ATC)	CSA 90 $^{\circ}\text{C}$	300V	30	7/0.100	0.38	1.10	± 0.10	397	2.0	15	2000
			28	7/0.127	0.38	1.20	± 0.10	248.0	2.5		
			26	7/0.160	0.38	1.30	± 0.10	152.0	4.0		
			24	7/0.200	0.38	1.45	± 0.10	88.6	5.3		
Solid(TA)	CSA 90 $^{\circ}\text{C}$	300V	22	7/0.254	0.38	1.60	± 0.10	62.5	7.2	15	2000
			26	1/0.404	0.38	1.25	± 0.10	155	3.8		
			24	1/0.511	0.38	1.40	± 0.10	92.4	5.3		
			22	1/0.643	0.38	1.55	± 0.10	60.1	7.2		
			20	1/0.813	0.38	1.70	± 0.10	37.0	9.4		
			18	1/1.020	0.38	1.96	± 0.10	23.6	13.0		

5. Signal Quality

Good waveform quality should be no crosstalk, no overshoot/undershoot and the amplitude of the voltage is higher than V_{IH} . Figure 11 describes the signal waveform with good quality.

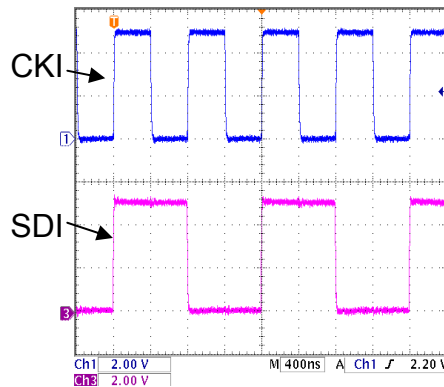


Figure 11. Good quality signal waveform

5.1 Cross-talk

When two signal lines are juxtaposed together, a phenomenon will happen on these two signals, as shown in Figure 12. In order to suppress the cross-talk, a GND line to separate these two signals is necessary, as shown in Figure 13. A twist pair cable is easy to suffer cross-talk. Therefore, it is not suggested to adopt the twin wires in this application.

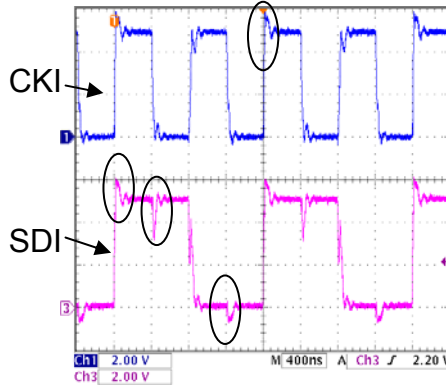


Figure 12. The waveform of cross-talk

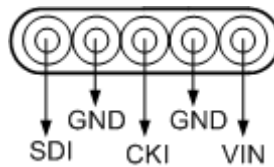


Figure 13. The arrangement of transmission line

In order to reduce the noise interference, the cable wire with shield is recommended to be the transmission line; also, the braid and drain wire of foil must connect to ground.

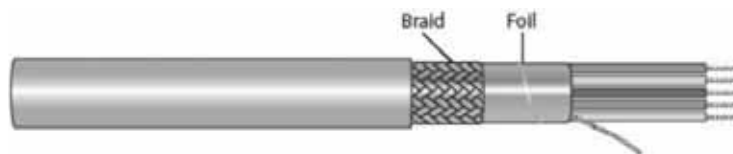


Figure 14. The cable wire with shield

5.2 Overshoot/Undershoot Voltage

Figure 15 shows the overshoot and undershoot voltage on CKI and SDI signals. In order to improve the signal quality, it is recommended to reserve the PCB positions of R_1 and R_2 in Figure 16. The resistance of R_1 and R_2 will affect the rising and falling time of CKO/SKO. The larger resistance results in slower rising/falling time and reduce the effect of over/undershoot voltage. However, the large resistance might cause abnormal transmission.

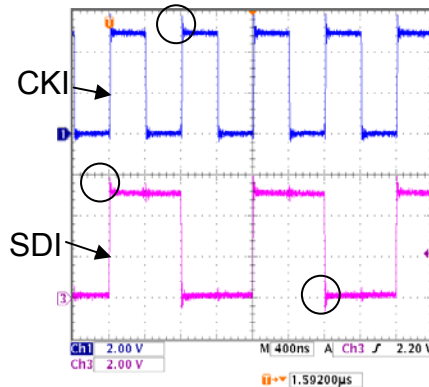


Figure 15. The poor waveform of overshoot or undershoot voltage

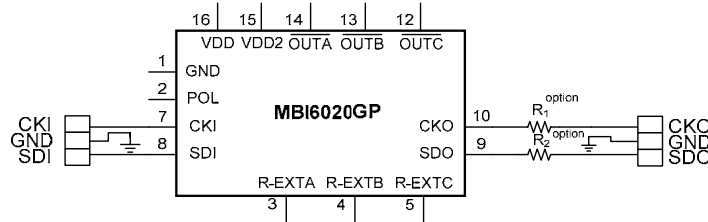


Figure 16. The sketch of how to improve the poor waveform

5.3 Amplitude

The factors that affect amplitude include equivalent capacitance of wire, equivalent capacitance of TVS, voltage of VDD and resistance of CKO/SDO. User can choose shorter wire to reduce the equivalent capacitance and smaller equivalent capacitance of TVS and adjust resistance of CKO/SDO.

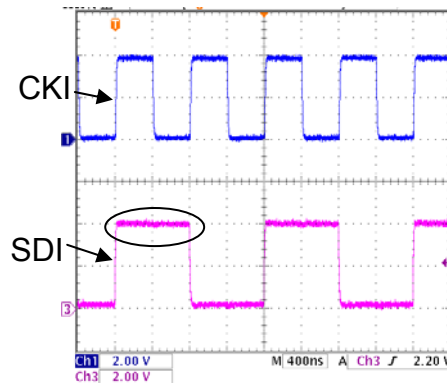


Figure 17. The poor waveform of insufficient amplitude

6. Notice About Test Pin

The 6th and 11th pins of GP package and 10th, and 11th pins of GFN package are test pins, please keep these pins floating to avoid MBI6020 into test mode.

Chapter 2. Control Signal Design

1. Notice for Controller

In order to improve the validity of controller signal, the controller signal should wait steady power, and use power-on reset circuit to reset the system. The CKI and SDI of controller should use GND shielding and the controller must add a GND as common GND for the module.

2. CKI frequency Notice

The minimum CKI frequency of MBI6020 is 200kHz. Users should use fixed CKI frequency to improve system stability.

3. CKI Stop Time

The time-out protection of MBI6020 is to check the validity of data counter by counting the stop period of CKI through the internal counter. When the CKI stop time exceeds 95-CKI, the present input data will be ignored. To prevent MBI6020 into time-out protection, the CKI's stop time should shorter than 95-CKI.

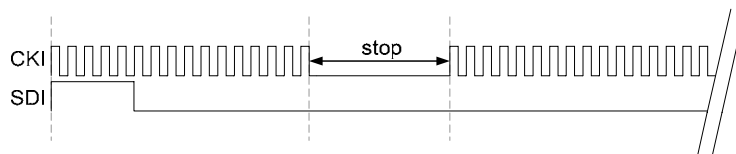


Figure 18. Diagram of time-out

4. Command Notice

The configuration and dot correction data should be re-sent pre-fixed time by controller. Users can re-send the configuration data (CF1[7] must be 1) pre-fixed time only, if the dot correction function is unnecessary. The dot correction data is executed by inputting new gray scale data, it should be inputted first, and then input the gray scale data.

5. Input Signal

The output signal of controller should allow the falling edge of CKI in the middle of SDI data. The recommended CKI is 50% of the duty, as shown in Figure 19.

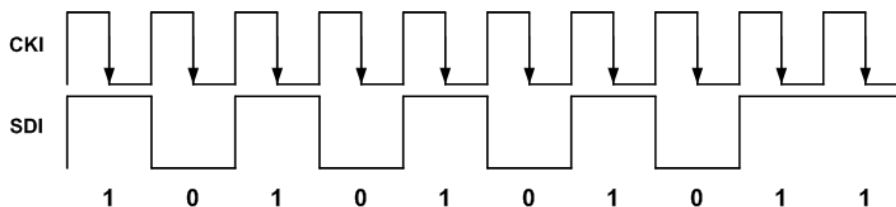


Figure 19. The falling edge of CKI in the middle of SDI data

The correct input signal format should consist of Prefix, Header and Data.

Prefix	Header	Data
--------	--------	------

5.1 Prefix

The prefix is the time that the CKI and SDI pull low (T_{d0}) simultaneously. In order to make MBI6020 realize the new gray scale and meet the image refresh time (T_{frame}), the following equations can be used to calculate the prefix.

$$T_{d0} = T_{frame} - T_{Data} \dots\dots\dots (3)$$

$$T_{d0} > 172 \times T_{CKI} \dots\dots\dots (4)$$

where T_{Data} represents the time of transmission, T_{Data} of 16-bits is $T_{CKI} \times 48 \times (N+1)$ and 10-bits is $T_{CKI} \times 30 \times (N+1)$. N is the amount of cascaded IC and T_{CKI} is the CKI period, as shown in Figure 20.

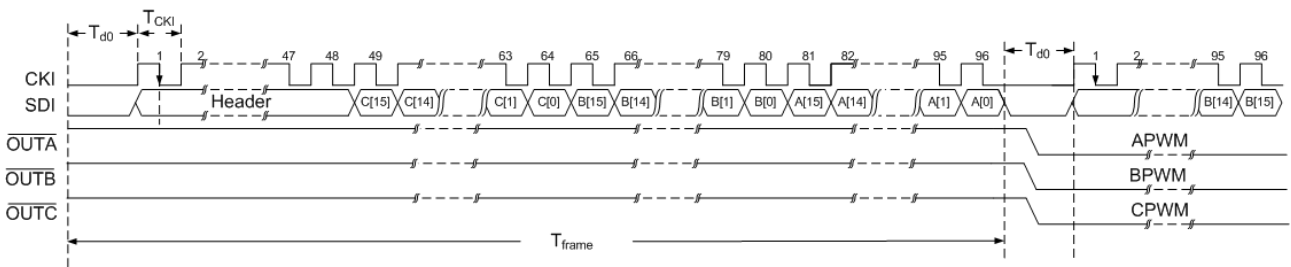


Figure 20. Diagram of prefix

Example

Number of MBI6020 in cascade: 256 pcs,

Gray scale data: 16-bit,

Period of CKI (T_{CKI}): 1us (1/1MHz),

Refresh time of a frame: 16.67ms (1/60Hz).

From equation (3), $T_{d0} = 16.67ms - 1us \times 48 \times (256+1) = 4.33ms$. The time is larger than the time of $172 \times 1us = 172us$. The data stream can be recognized, as shown in Figure 21.

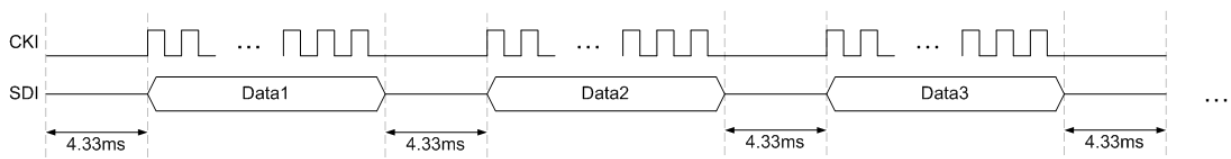


Figure 21. The Diagram of prefix is 4.33ms

5.2 Header

The correct header must be transmitted before the gray scale data to make sure each MBI6020 can catch the gray scale data with correct address. The header includes H (Command Header), A (Address), L (Length) and P (Parity Check).

5.2.1 Command Header Illustration

MBI6020 has six types of Command Headers, as shown in Table 2. According to the definition of each header, the consequent data will be written to gray scale data, dot correction data, configure data.

Table 2. Six kinds of command

Command H[5:0]	Data Type
6'b11 1111	16-bit gray scale data
6'b10 1011	10-bit gray scale data
6'b11 0011	8-bit dot correction data
6'b10 0111	6-bit dot correction data
6'b10 0011	16-bit configuration data
6'b11 0111	10-bit configuration data

5.2.2 Address and Length Illustration

A-Token™ is the address setting method of MBI6020. The theorem of A-Token™ is to distribute the A(Address) and L(Length) to each IC automatically. The address data will add 1 whenever the data chain pass to the next IC, and the Least Significant Bit (LSB) will be exported first to address the next IC. When the data of A(Address) and L(length) are the same, the data will be latched to register. **The L (length) of MBI6020 is the amount of cascaded ICs minus one.** For example, if there are three MBI6020 in cascaded, the L(Length) will be 2 (10'b0000000010), and **the initial A (Address) is 0 (10b'0000000000).**

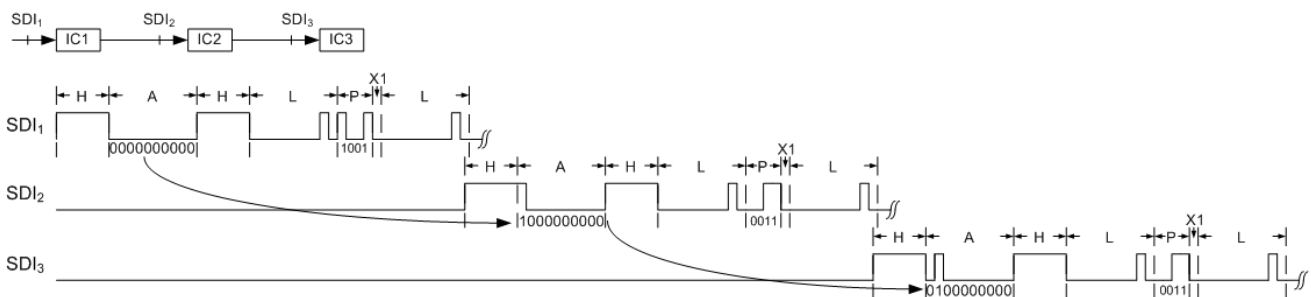


Figure 22. Diagram of A-Token™

5.2.3 Parity Check Illustration

The parity check function is to check if there is any error data in the Command Header, Address and Length. When parity check is enabled, if the count of parity is incorrect shows on the Command Header, Address or Length, the data chain will be invalid and the IC keeps the previous frame data until the result of parity check is correct. The default value of parity check is disabled, users can set CF1[0]= "1" to enable the parity check function. The example of parity check shows below. The P[3] of parity check is the odd/even result of P[2:0], as shown in Figure 23.

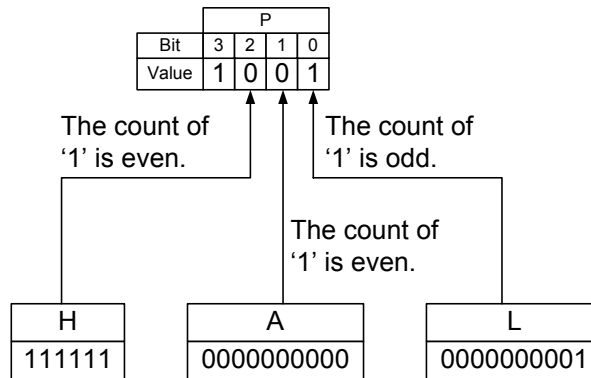


Figure 23. The example of parity check

Following shows the example of two MBI6020 in cascade with different commands

16-bit Configuration Data

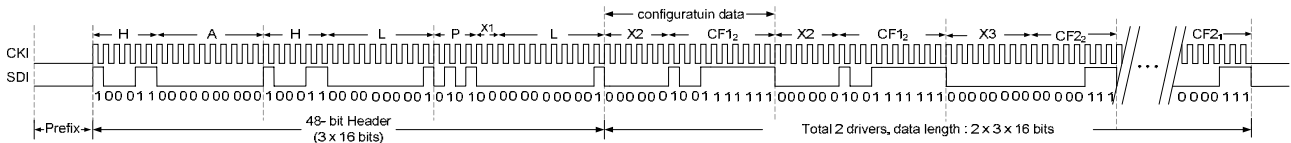


Figure 24. The example of 16-bit configuration data.

where the configuration data of each IC only needs 3 x 16 bits. As the Length data sets 1(10'b0000000001), the length of configuration data is 2 x 3 x 16 bits. X2 and CF1 will be sent twice continuously, and following by X3 and CF2. Each bit defines as below.

CF1 :

Bit	Function
9:8	GCLK frequency = 10(PWM clock=10MHz)
7	Dot correction mode= 0 (Enable dot correction)
6:5	High/Low frequency GCLK selection= 11(Select high GCLK frequency 20MHz/10MHz/5MHz/2.5MHz)
4	PWM counter reset= 1 (PWM counter reset after configuring control register)
3	PWM data synchronization= 1 (Automatic synchronization)
2:1	Phase-inverted output clock= 11(The waveform is reversed from CKI to CKO)
0	Parity check= 1(Enable)

CF2 :

Bit	Function
2:0	111

10-bit Configuration Data

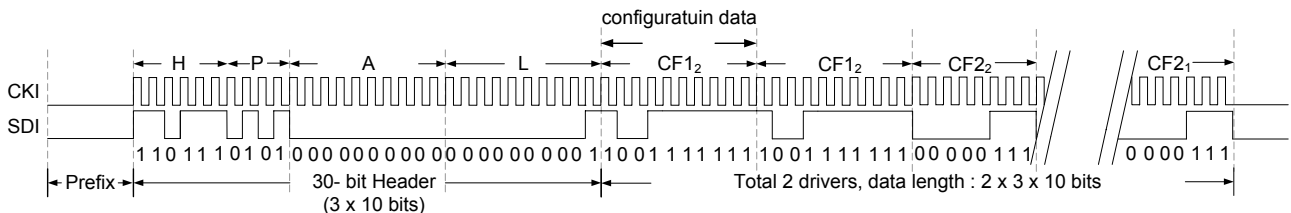


Figure 25. The example of 10-bit configuration data

where configuration data of each IC only needs 3 x 10 bits. Since the Length data is 1(10'b0000000001), it totally needs 2 x 3 x 10 bits of configuration data after the Header. The data string of CF1 should be inputted twice, then is CF2. The definition of each bit is the same as 16-bit configuration data.

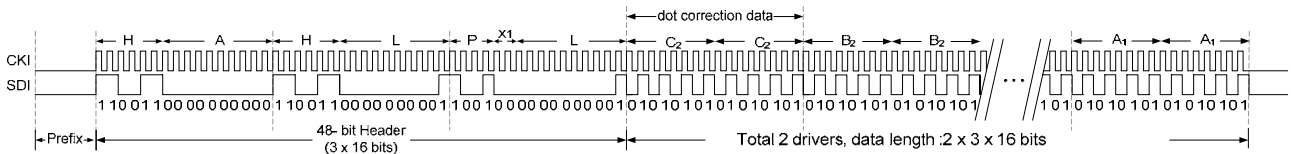
8-bit Dot Correction Data


Figure 26. The example of 8-bit dot correction data

where two Command Headers must be filled with 6b'110011 in the Header. Every 8-bit dot correction data must be filled twice continuously. As the Length sets 1(10'b0000000001), it totally needs 2 x 3 x 16 bits of dot correction data after the Header.

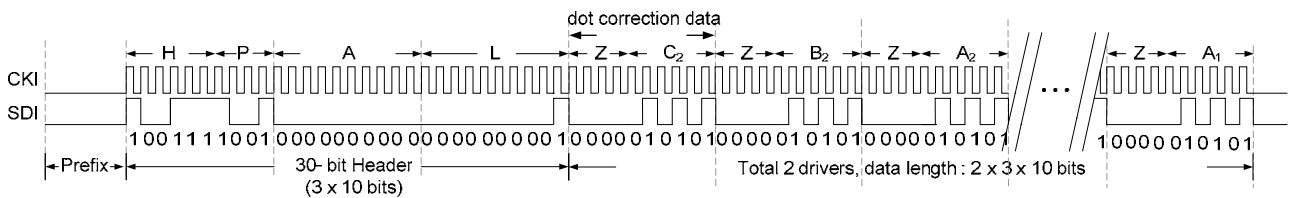
6-bit Dot Correction Data


Figure 27. The example of 6-bit dot correction data

where two Command Header must be filled with 6b' 100111 in the Header. As the Length sets 1(10'b0000000001), it needs 2 x 3 x 16 bits gray scale data after the Header.

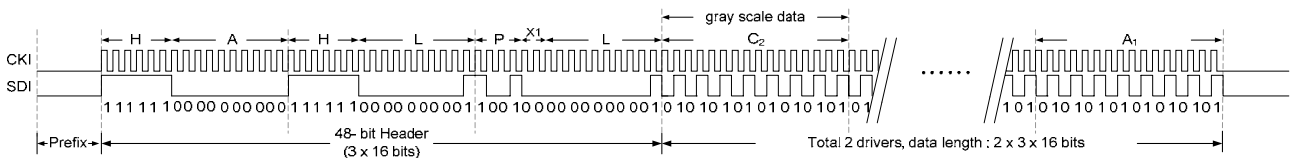
16-bit Gray Scale Data


Figure 28. The example of 16-bit gray scale data

where two Command Header must be filled with 6b'111111 in the Header. As the Length sets 1(10'b0000000001), it needs 2 x 3 x 16 bits gray scale data after the Header.

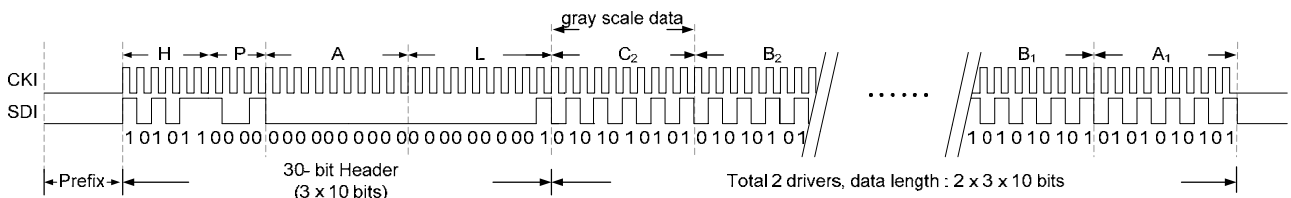
10-bit Gray Scale Data


Figure 29. The example of 10-bit gray scale data.

where two Command Header must be filled with 6b'101011 in the Header. As the Length sets 1(10'b0000000001), it needs 2 x 3 x 10 bits gray scale data after the Header.

Chapter 3. Production and Setup

1. The Effect of Hot Swap

Hot swapping means the action of connecting or disconnecting the pin of VDD/GND/CKI/SDI/CKO/SDO of MBI6020. It will induce the heavy instantaneous current and high voltage, and then damage the IC. Besides increasing the EOS protection component as mentioned, users also may add the longer ground terminal in connectors, and operate the correct procedures to avoid hot swap.

2. Design to Reduce Strike Voltage

2.1 Resistance

Cascade a resistor at CKO and SDO can reduce the probability of IC been damaged by hot swap. The larger resistance results the lower probability of damage problem, and the lower speed of transmission. The recommended resistances of R_2 and R_3 , which are shown in Figure 15, are 33Ω .

2.2 Connector

When setting up or removing the connector of cluster instantly, in order to reduce the unexpected spike voltage and to avoid IC been burned out, users need to turn off the power, and then set up or remove the cluster. It is better to connect GND first. Users can design the longer GND terminal in connector pin than in VDD terminal in connector to reduce the unexpected strike voltage, as shown in Figure 30.

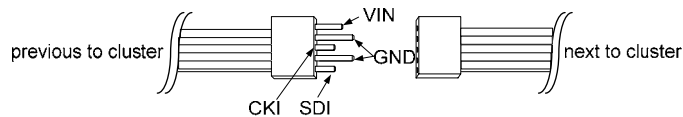


Figure 30. The safety design of longer terminal ground.

2.3 Transient Voltage Suppressor

All Macroblock products have passed the standard of ESD protection. But to enhance the capacity of Electrical Over Stress (EOS) protection, an external device, Transient Voltage Suppressor (TVS), is necessary. Figure 31 shows the positions of TVS₁~TVS₄, and followings are the guidelines for TVS selection. Select TVS₁

- The maximum Reverse Stand-Off Voltage (V_{RWM}) should be equal to module's input voltage.
- The maximum clamping voltage (V_C) should be 1V~2V higher than module's input voltage.
- The maximum Peak Pulsed Power (P_{PPM}) is the product of maximum clamping voltage and peak pulse current.
- TVS diode should be placed to the pins that need to protect as close as possible to prevent the EOS.

Select TVS₂

- The maximum Reverse Stand-Off Voltage (V_{RWM}) should be equal to 5V.
- The maximum clamping voltage (V_C) should be equal to 7V.
- The maximum Peak Pulsed Power (P_{PPM}) is the product of maximum clamping voltage and peak pulse current.

d. TVS diode should be placed to the pins that need to protect as close as possible to prevent the EOS.

Select TVS₃ ~TVS₄

- The maximum Reverse Stand-Off Voltage (V_{RWM}) should be equal to 5V.
- The maximum clamping voltage (V_C) should be equal to 7V.
- The maximum Peak Pulsed Power (P_{PPM}) is the product of maximum clamping voltage and peak pulse current.
- TVS diode should be placed to the protected pins as close as possible to prevent the EOS happened.
- For the high frequency loop, such as CKI/SDI/CKO/SDO, the parasitic capacitance of TVS will cause noise and signal attenuation. The TVS with low parasitical capacitance is adapted in high frequency application.

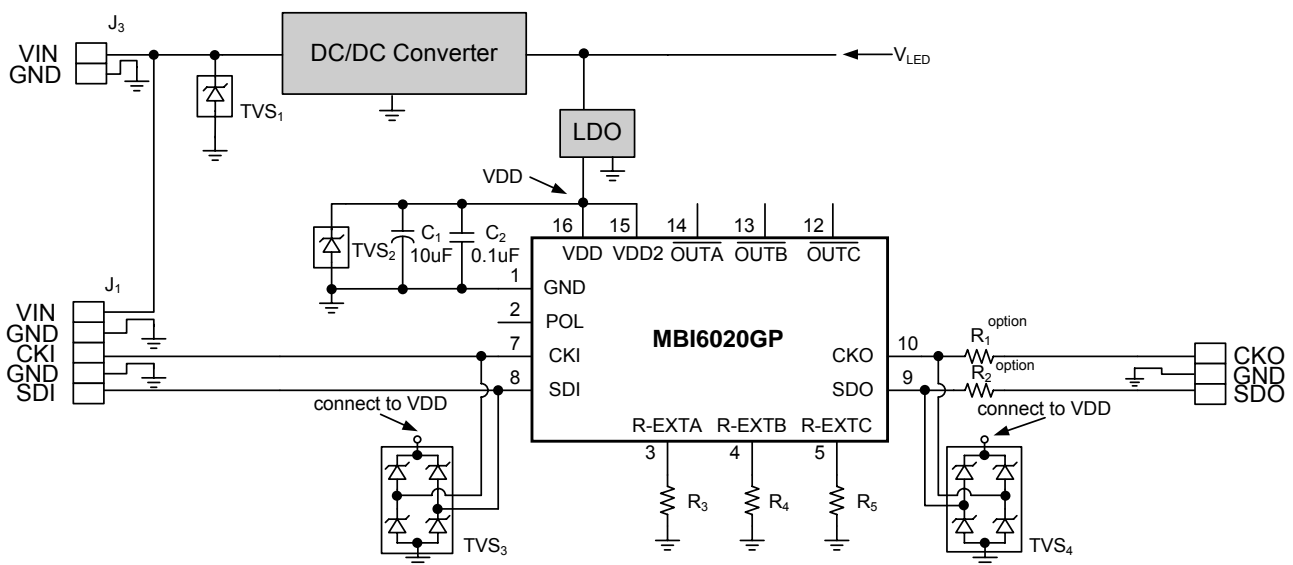


Figure 31. The component position of EOS

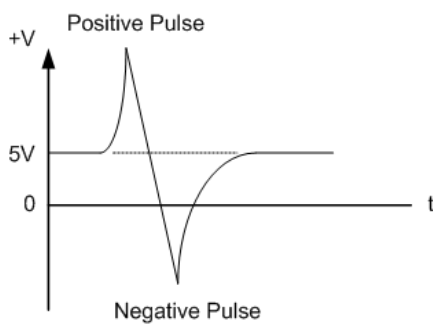


Figure 32. Without TVS

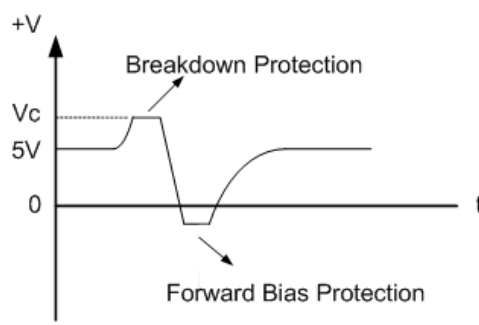


Figure 33. With TVS

3. Production and Setup procedures

The following procedures should be observed in producing and installing the modules.

In order to avoid the controller from providing a valid power to the IC and cause the EOS through the ESD protection circuit. Modules in the production and installation should carefully follow the correct procedures:

Step 1: Before install the module, please turn all the power off.

Step 2: The procedure of electrostatic discharge should be taken before connecting the cluster.

Step 3: Make sure the grounding system has been properly grounded.

Step 4: Make sure all the conducting wires of power supply and controller have completed and correctly contacted with connector.

Step 5: After the above procedures have been executed, then start the system power supply.

Step 6: After the system power is stable, then start the controller power supply.

Step 7: Before the procedures of cluster removing or repairing welding, users have to turn off the controller power first and then the system power. After the residual charge has been completely discharged, then the rework procedures can be executed.

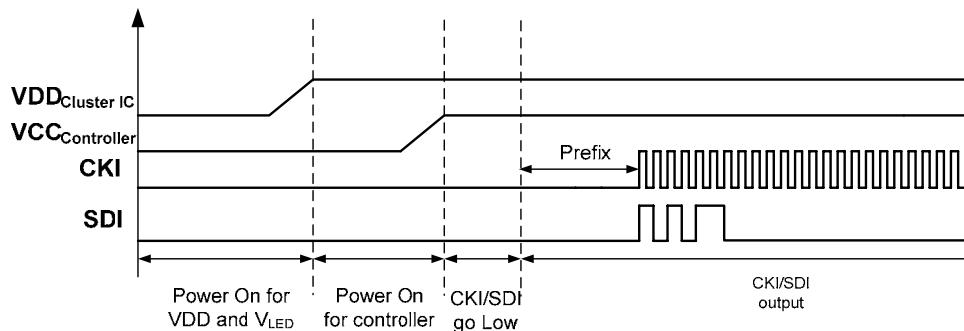


Figure 34. Power-on sequence

4. Printed Circuit Board Notice

- Users should avoid the situation of empty solder, cold solder, and split solder in manufacturing process of printed circuit board (PCB).
- Device layout should avoid to approach the board edge of PCB.
- To design the longer size of PCB, we suggest to select the thick slab value of PCB to avoid soldering issues due to board bending.

Chapter 4. The Method of System Testing

Please use the Configuration Data, Dot Correction Data and Gray Scale Data for system testing. The CKI frequency is 1MHz, RGB gray scale data is 10'b0101010101, and the LED turns on sequence is

R→G→B→R→G.... If the LED works normally, the CKI frequency can be increased to 500kHz until LED

works abnormally. If the LED can't work normally, then the CKI frequency should be decreased. The lowest

CKI frequency is 200kHz. If LED still can't work under this frequency, please check if the signals of CKI and

SKI have been distorted.

Chapter 5. Other application Notice

1. Higher V_{LED} Application

In the more LEDs per string, if the V_{LED} is larger than the sustaining voltage of $\overline{OUTA} \sim \overline{OUTC}$, MBI6020 might be damaged when the IC is turned off. The simplest method is to parallel a resistor ($R_6 \sim R_8$) at the output terminals of MBI6020, as shown in Figure 35. When the IC is turned off, the LED will generate a small current from the paralleled resistor, and then the V_{DS} will not exceed the sustaining voltage of output terminal.

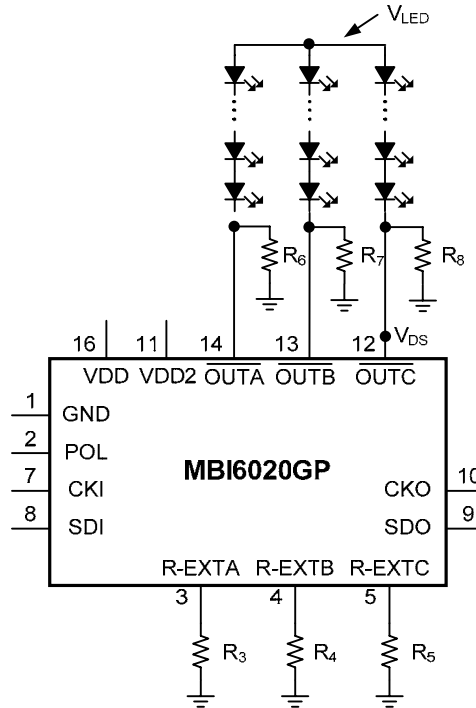


Figure 35. The application circuit of high V_{LED} .

Users can follow the steps below to calculate the paralleled resistor.

1. Find out the LED current ($I_{LED-CUT}$), which results in the invisible LED brightness.
2. Calculate the resistor

$$R_6 \sim R_8 = (V_{LED} - N \times V_{F, LED-CUT (MAX)}) / I_{LED-CUT} \dots\dots\dots (5)$$

where N is the cascaded LED number, and $V_{F, LED-CUT (MAX)}$ is the LED forward voltage under $I_{LED-CUT}$. The calculation of $V_{LED} - N \times V_{F, LED-CUT (MAX)}$ must be smaller than the sustaining voltage of MBI6020's output terminal.

3. Parallel the $R_6 \sim R_8$ to the output terminal and turn off MBI6020. Make sure the LED brightness is invisible and V_{DS} is smaller than 17V.

Example: The V_{LED} is 24V, and the cascaded LED number is 11. Please calculate the paralleled resistor to prevent the IC from being damaged.

Table 3. The example of LED I-V data

	Invisible lighting range						Visible lighting range							
V_f (V)	1.40	1.42	1.43	1.44	1.45	1.48	1.50	1.60	1.80	2.00	2.10	2.11	2.20	2.25
I_f (mA)	0.0003	0.0005	0.0007	0.0009	0.0011	0.0024	0.0038	0.046	2.705	12.8	19.46	20.2	26.75	30.64

1. Find out the $I_{LED-CUT}$

Table 3 is the I-V data of the LED in this example, and the $I_{LED-CUT}$ on this table is 0.0024mA.

2. From equation (5), the $R_6 \sim R_8$ are $(24V - 11 \times 1.48V) / 0.0024mA = 3.2M\Omega$. In this example, select a 3.3M Ω resistor with 0603 package to be $R_6 \sim R_8$. And when IC turns off the V_{DS} should be $24V - 11 \times 1.48V = 7.72V$. It is smaller than 17V.

When $R_6 \sim R_8$ are connected to the output terminals, and MBI6020 are turned off, the measured V_{DS} is 7.61V, and the LED current is 0.0023mA. So that the LED brightness is invisible.

2. Using the long power line on the PCB

If users have to use the long power line on the PCB, the distributed capacitors, which Figure 36 shows, are recommended. The value of C_d depends on the distance between each power line.

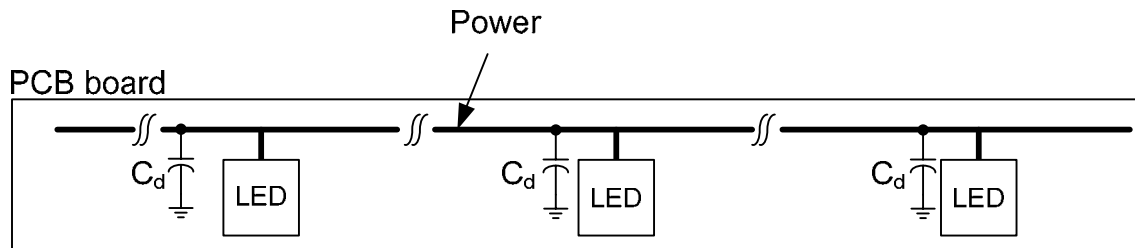


Figure 36. The sketch of distributed capacitance

3. Logic Level Issue

As voltage drop effect, the VDD of each cluster is different; it will lead to the different logic level between clusters, as shown in Figure 37. When VDD is 5V, the V_{IH}/V_{IL} level will be 3.65V/1.4V respectively. And if the VDD of another cluster is 4V, the logic level will be 2.92V/1.12V. The different logic level will cause a different trigger time and then impact the signal transmission. Please refer to the section of "Power Configure" for the suggested method.

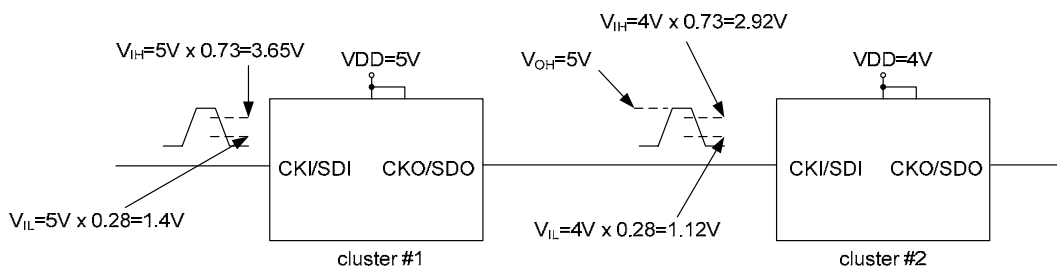


Figure 37. The diagram of different VDD

Summary

In the application of multiple clusters cascaded, the following notices must be taken

1. The transmission line with small parasitic inductance is required to enhance the signal quality.
2. To prevent the insufficient V_{LED} , which is caused by the conductor resistance in transmission line, results the problem of cluster brightness unbalance, please refer Figure 9 to design the power source.
3. Please refer to chapter 3, "Production and Installation", to protect IC being damaged from hot-plug in.
Please take a note, even the processes in chapter 3 have been executed, it only can reduce the probability of burn-out when hot-plug in, can't totally solve the problem.